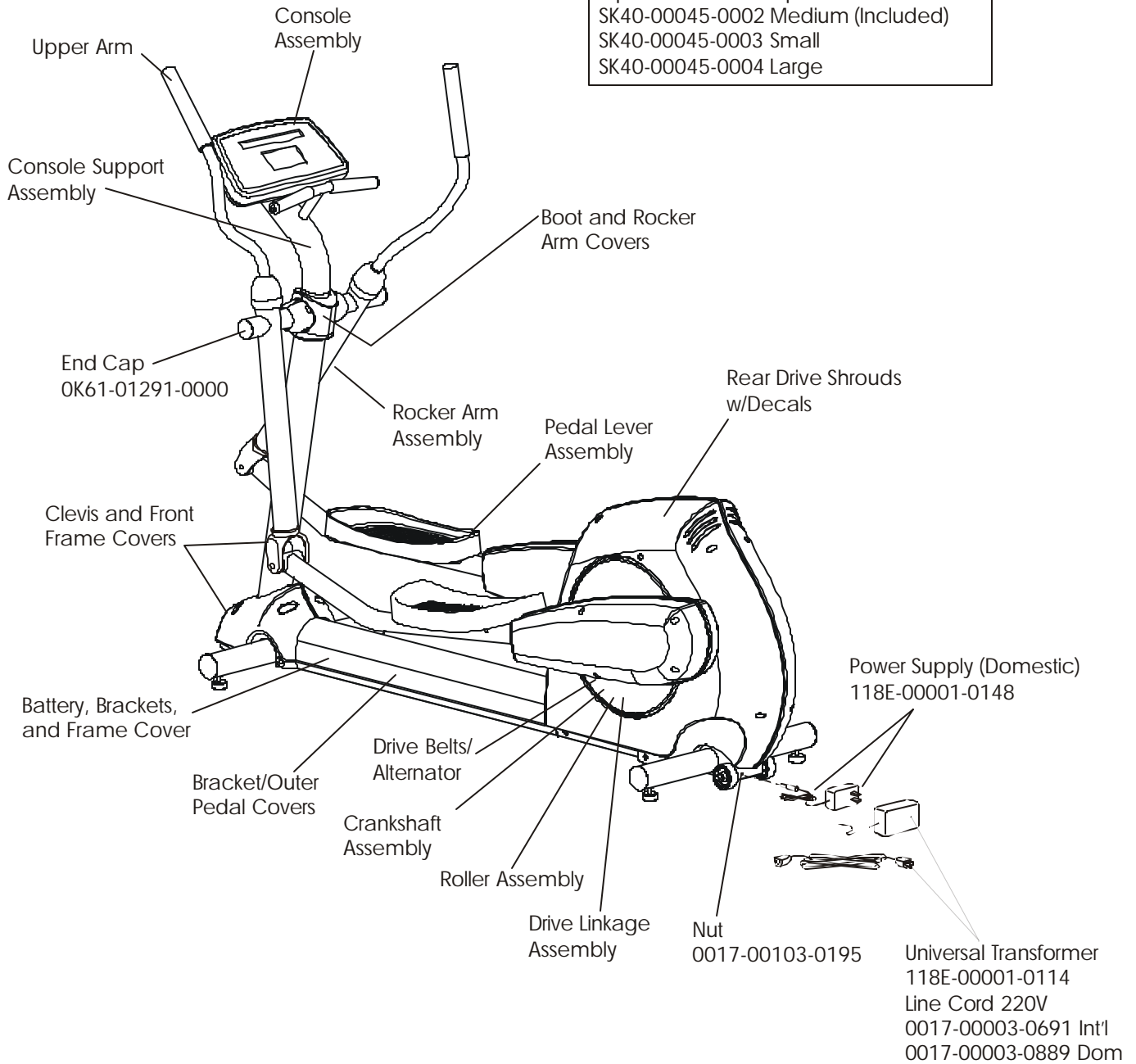


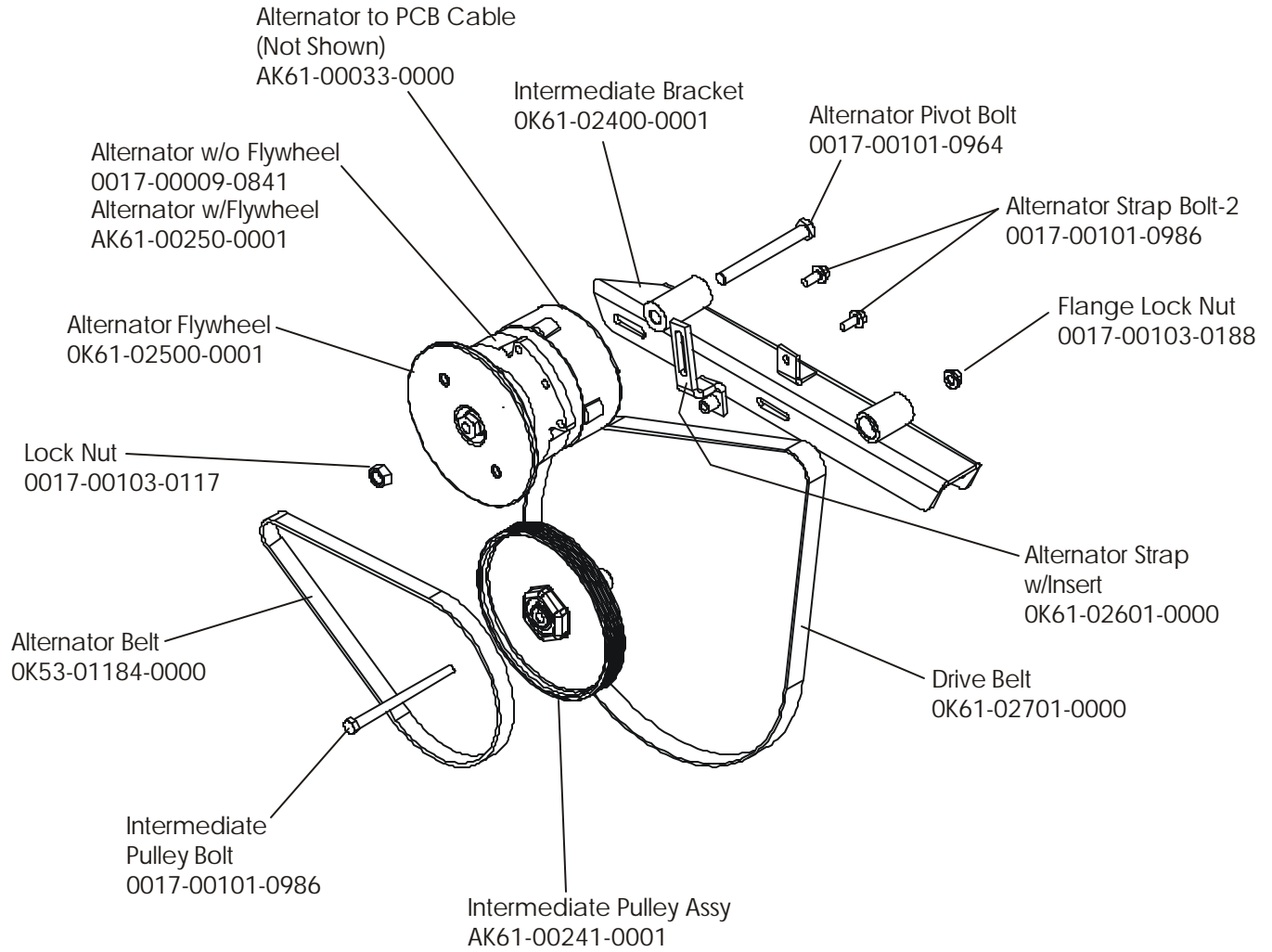
CT5500 Cross-Trainer CT55-0XXX-01 w/Polar HR, S/N 100000-up General Assembly

Service Manual M051-00K61-A011
 Operator Manual M051-00K20-D169
 Installation Instructions M051-00K20-B167
 Hardware Kit AK61-00040-0000
 Optional: Chest Strap
 SK40-00045-0002 Medium (Included)
 SK40-00045-0003 Small
 SK40-00045-0004 Large



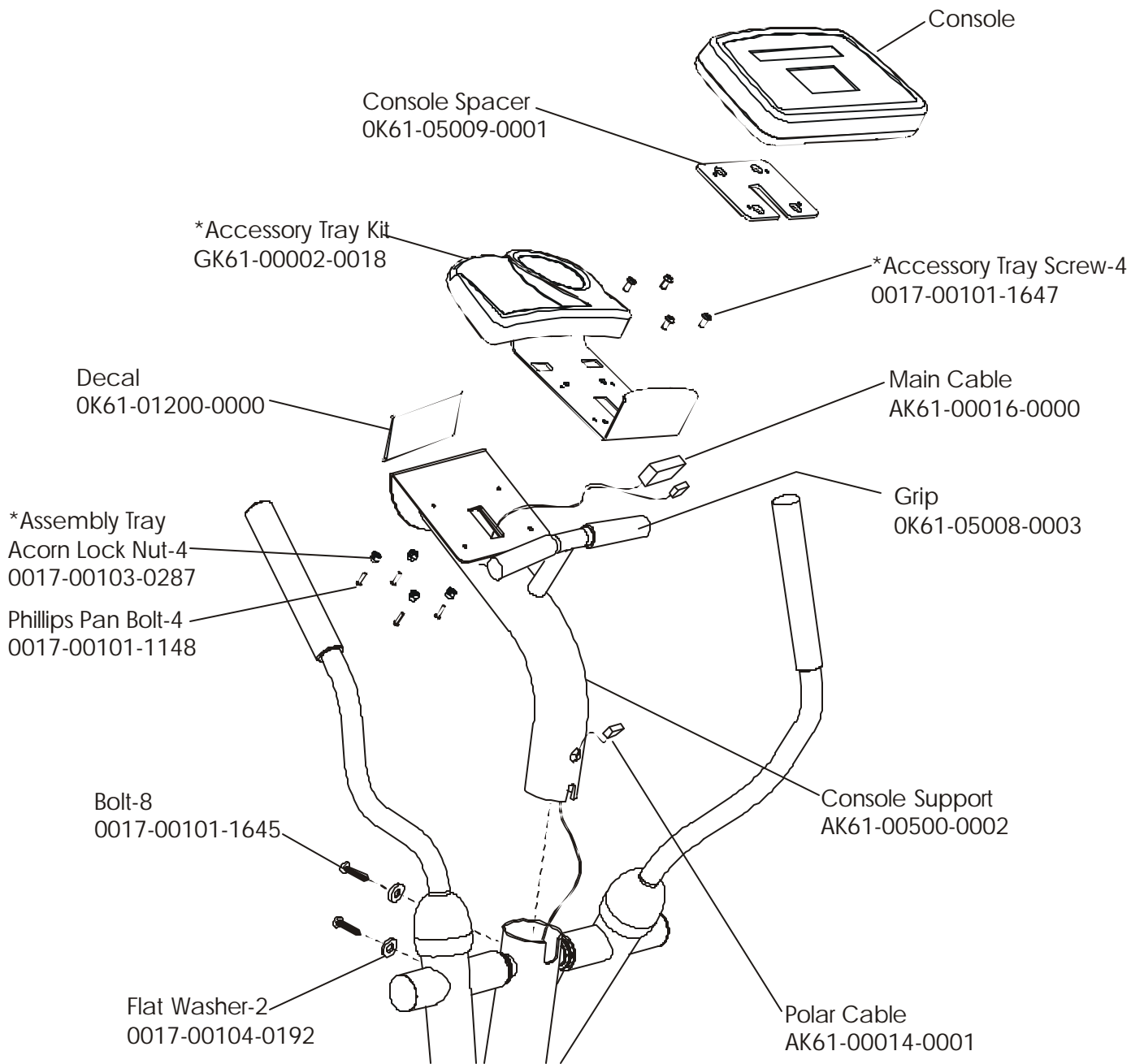
CT5500 Cross-Trainer

Drive Belts and Alternator



CT5500 Cross-Trainer Console Support Assembly

***Optional**

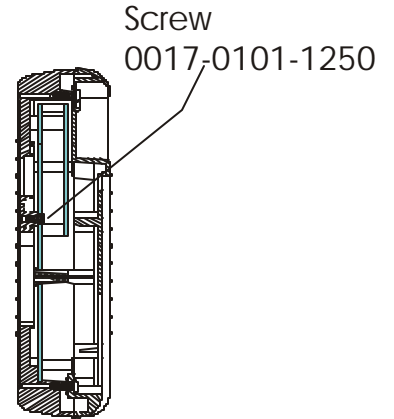
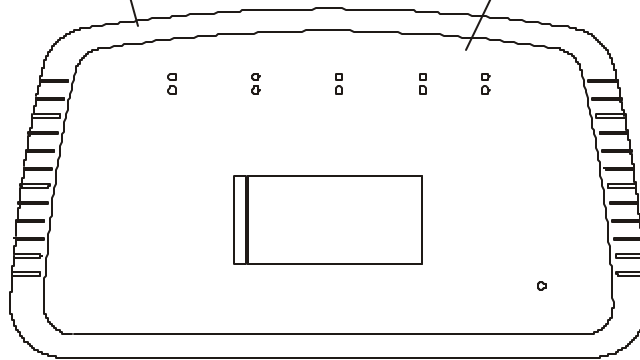


CT5500 Cross-Trainer

Console Assembly

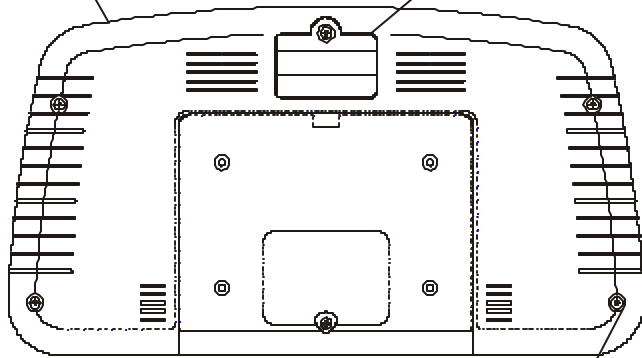
Console Assembly
 AK61-00022-0001 Eng/Met
 AK61-00022-0003 Ger/Met
 AK61-00022-0007 Frn/Met

Overlay Bezel
 AK61-00021-0001 Eng/Met
 AK61-00021-0003 Ger/Met
 AK61-00021-0007 Frn/Met



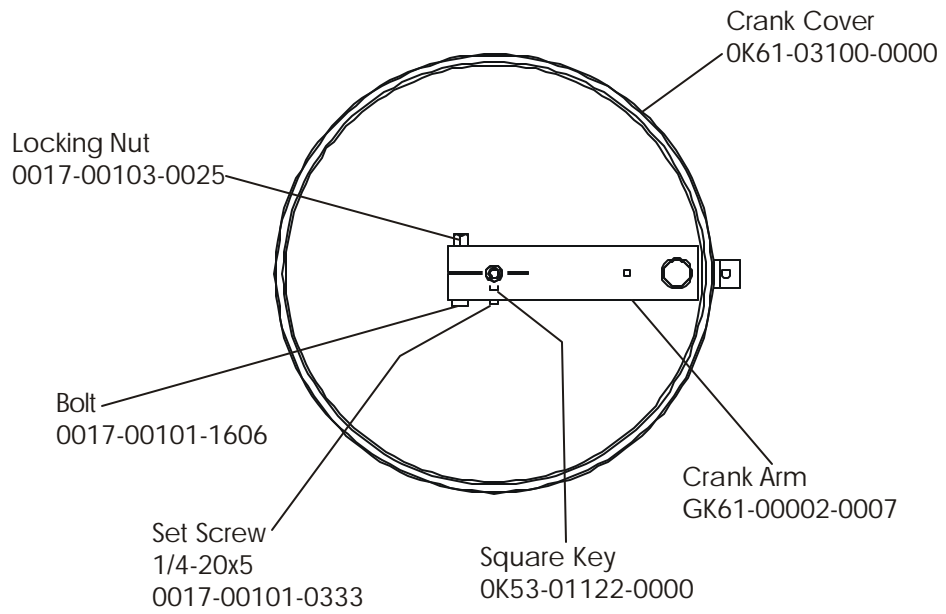
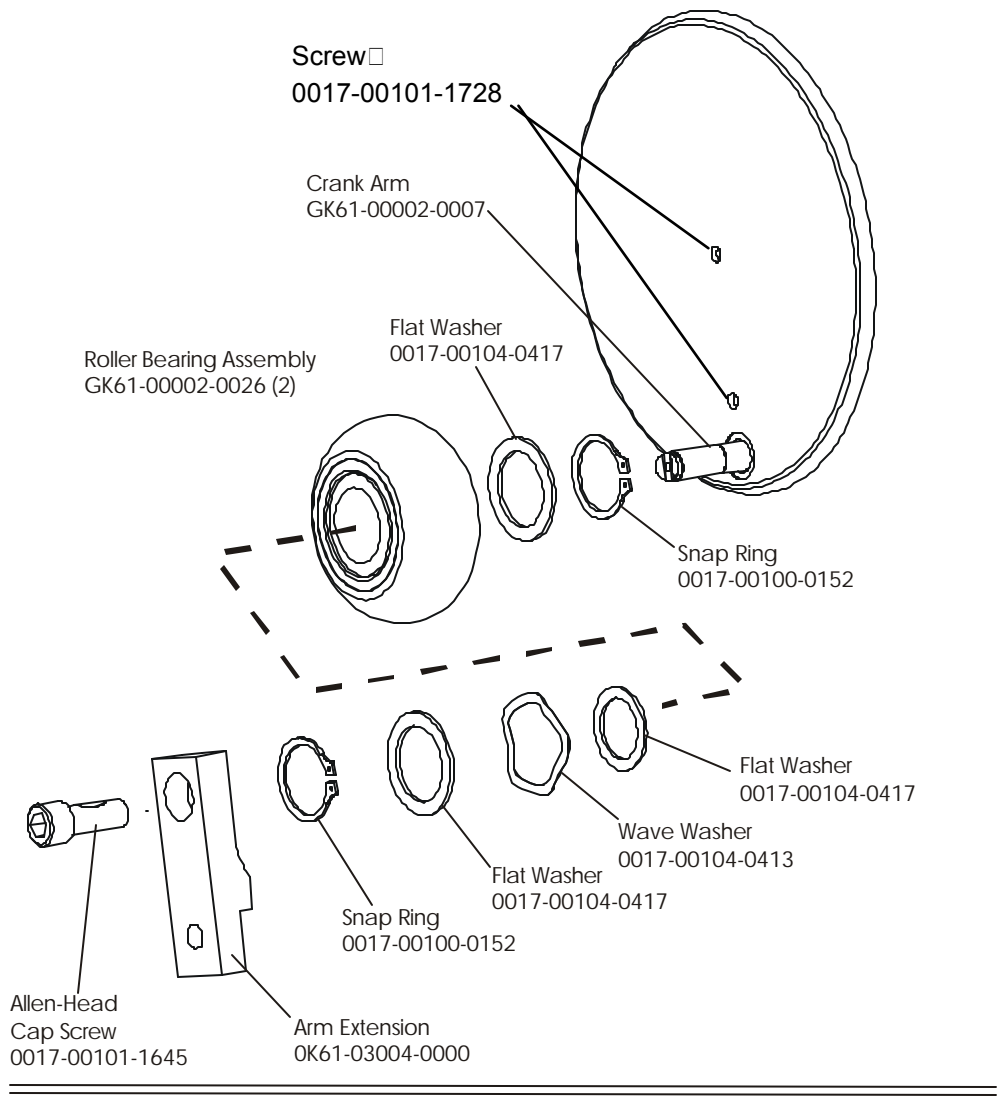
Console Case (Black)
 OK36-01187-0006

Battery Cover
 OK36-01035-0006



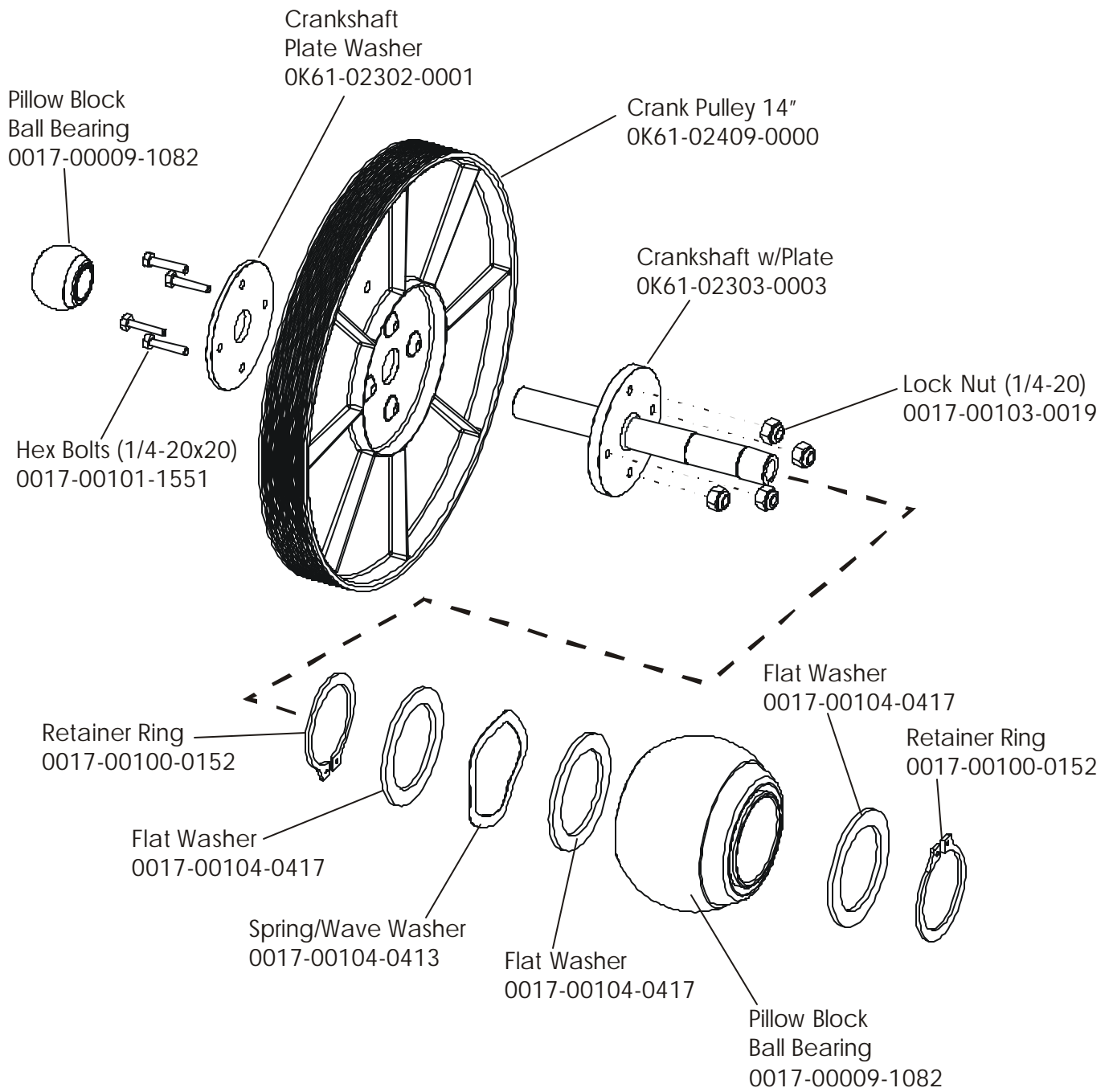
Screw
 0017-00101-0823

CT5500 Cross-Trainer Roller Assembly

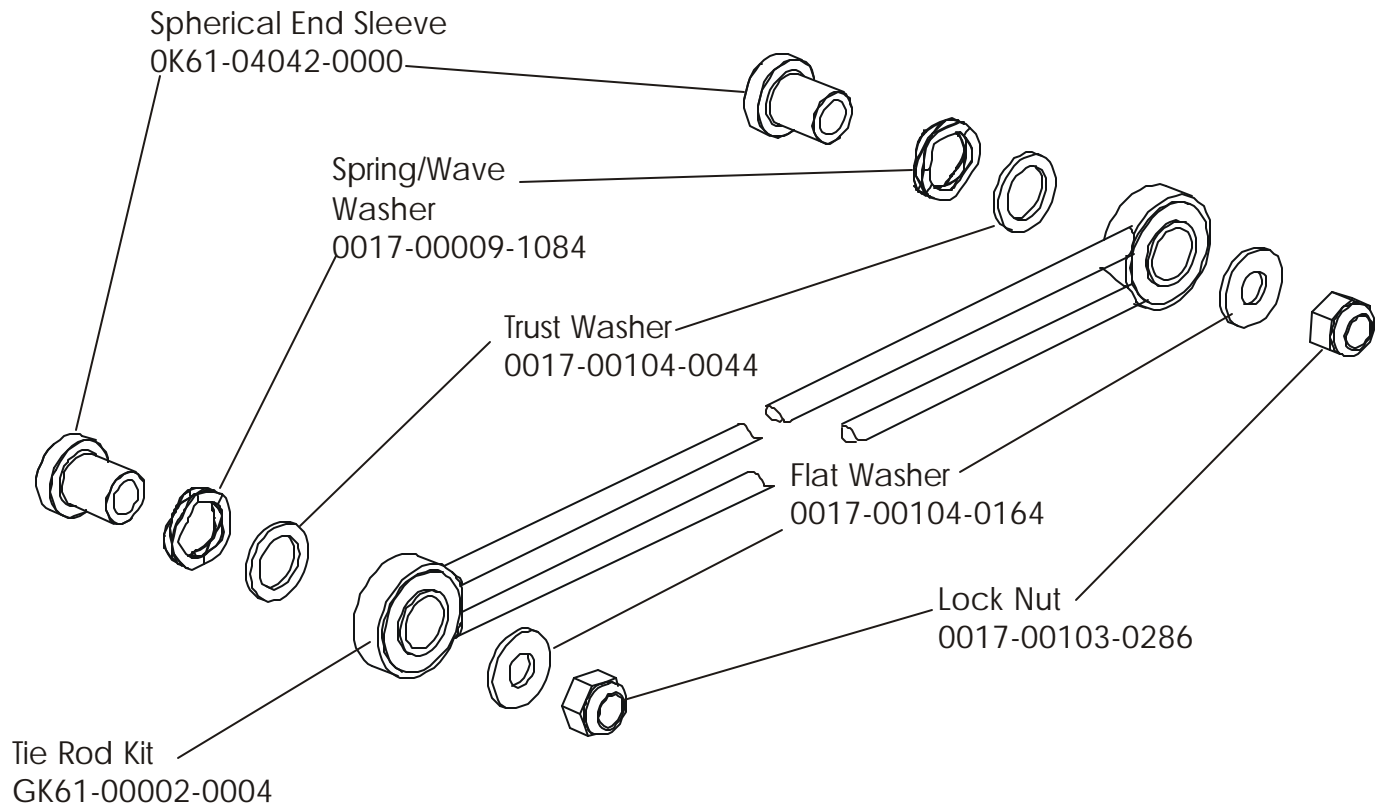


CT5500 Cross-Trainer

Crankshaft Exploded View AK61-00230-0002

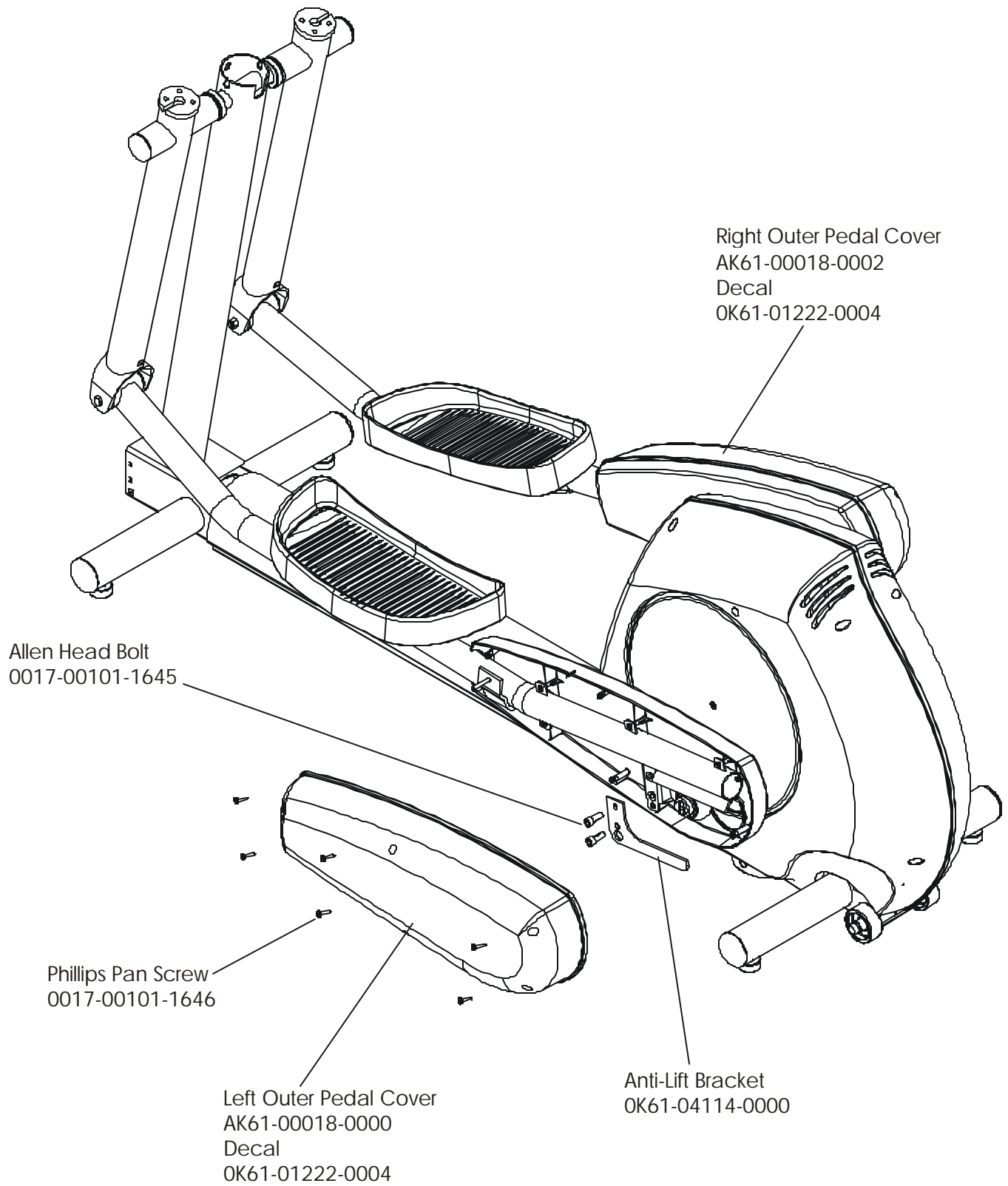


CT5500 Cross-Trainer Drive Linkage Assembly

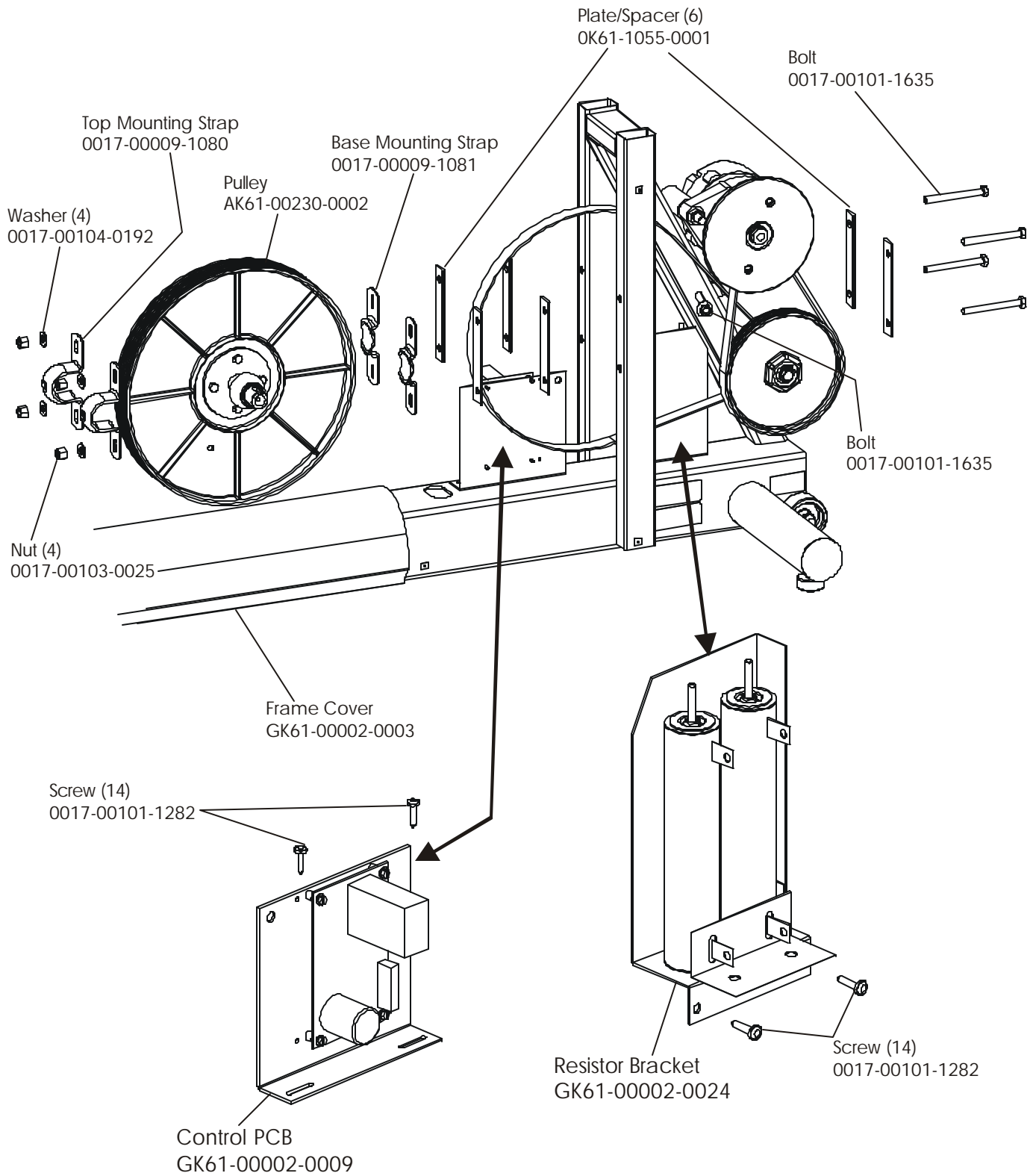


CT5500 Cross-Trainer

Anti-Lift Bracket and Outer Pedal Covers

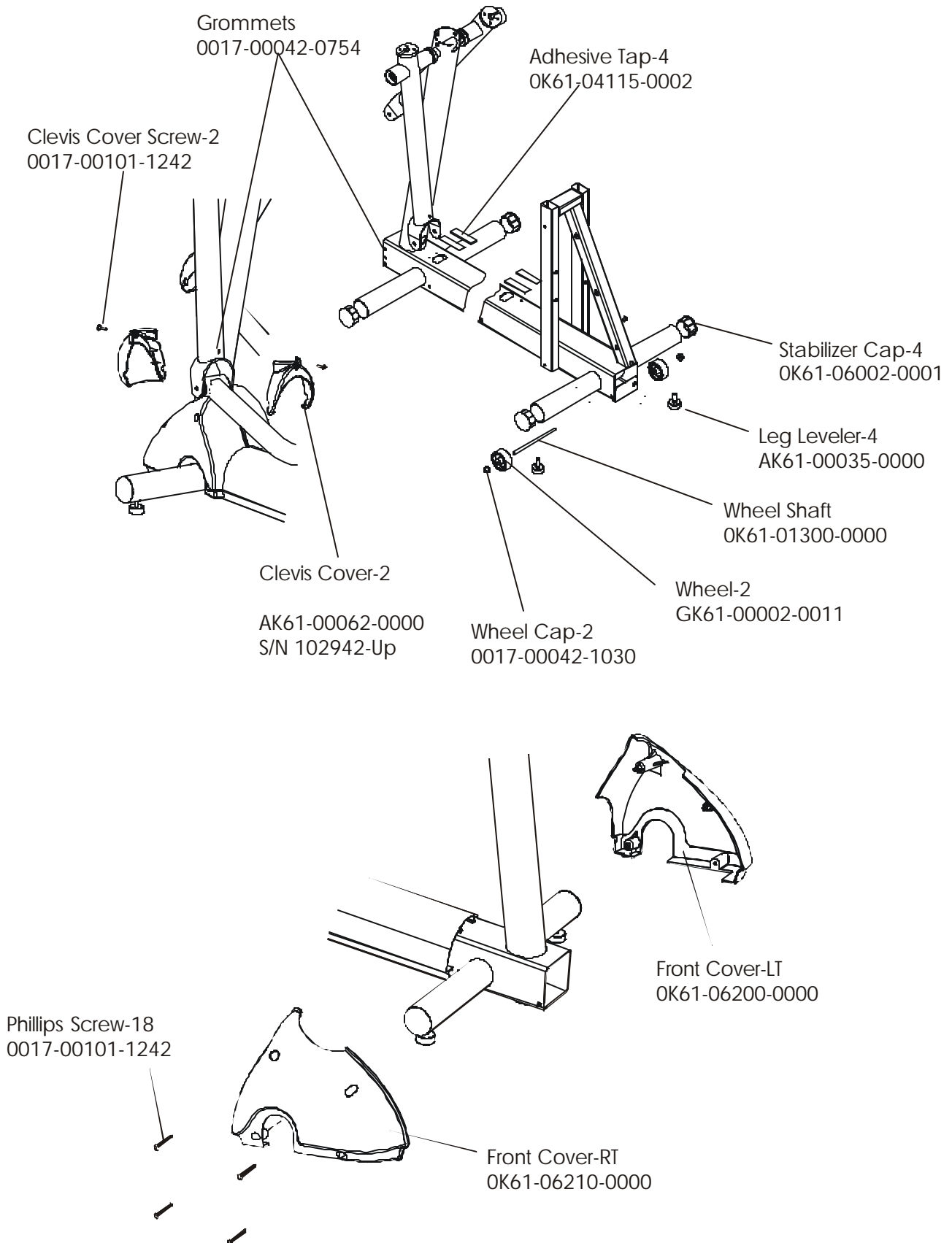


CT5500 Cross-Trainer Brackets and Frame Assembly



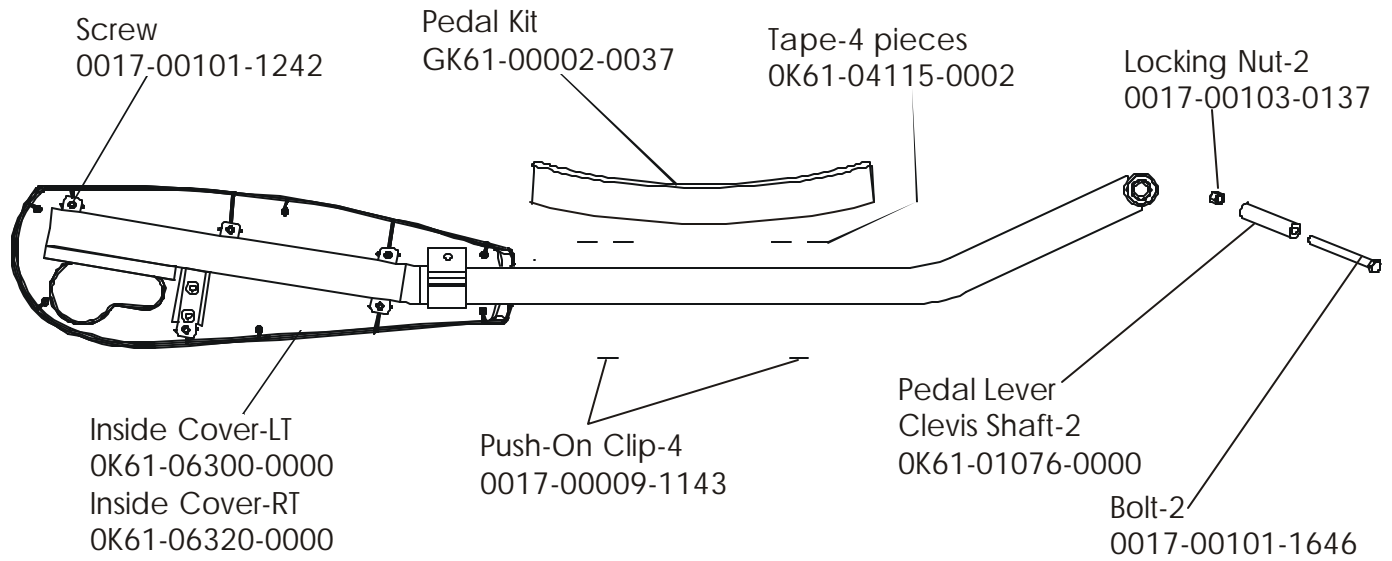
CT5500 Cross-Trainer

Clevis and Front Frame Covers

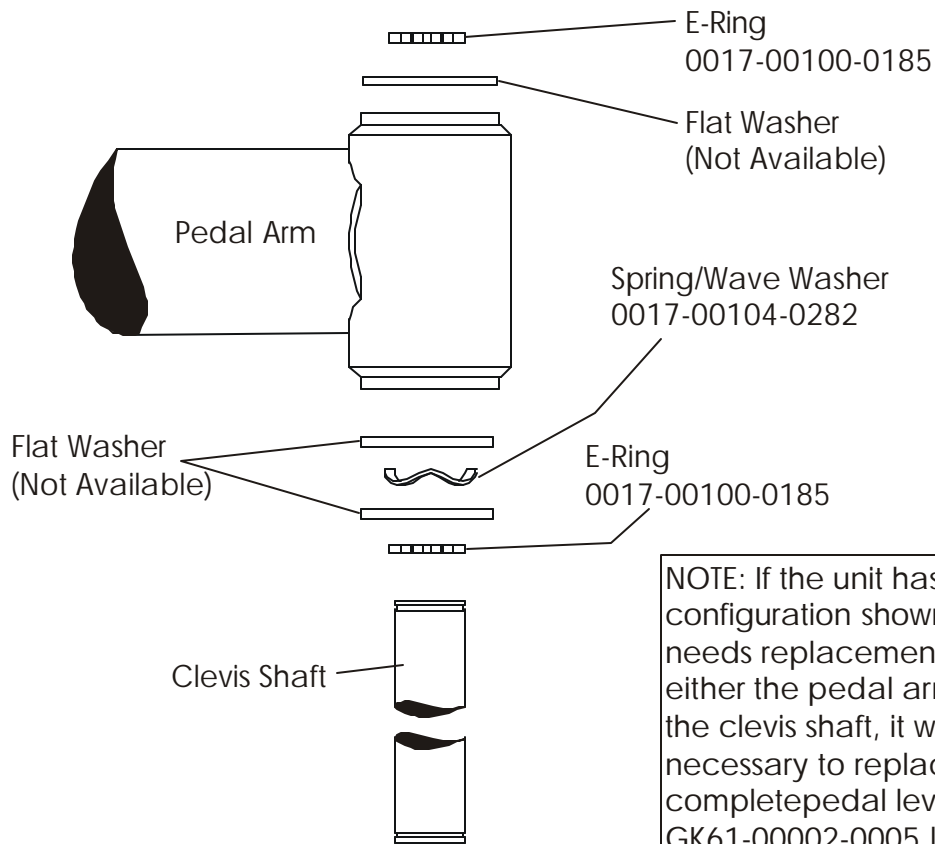


CT5500 Cross-Trainer

Pedal Lever Assembly



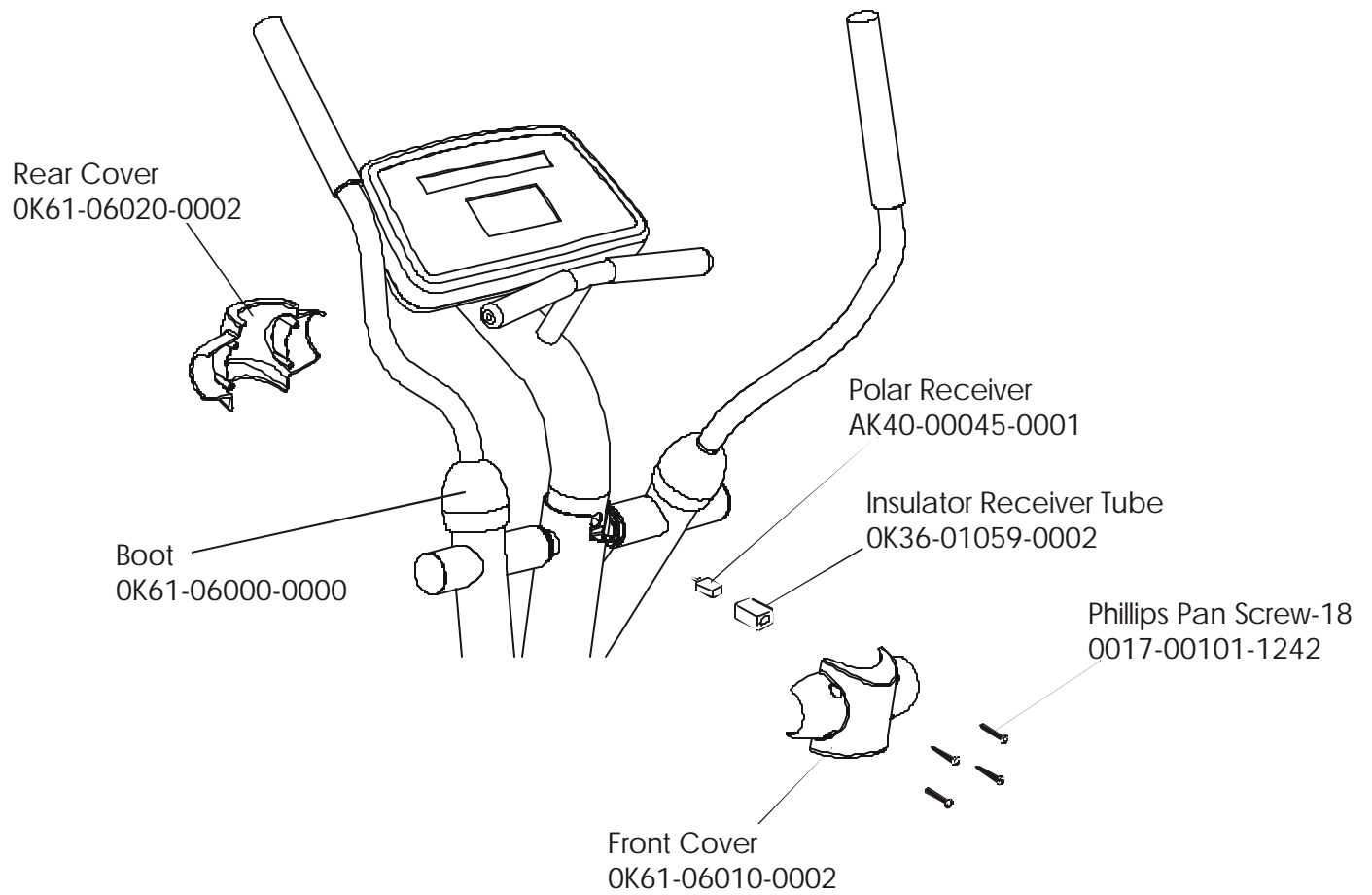
Left Pedal Assembly GK61-00002-0005,
 Right Pedal Assembly GK61-00002-0006



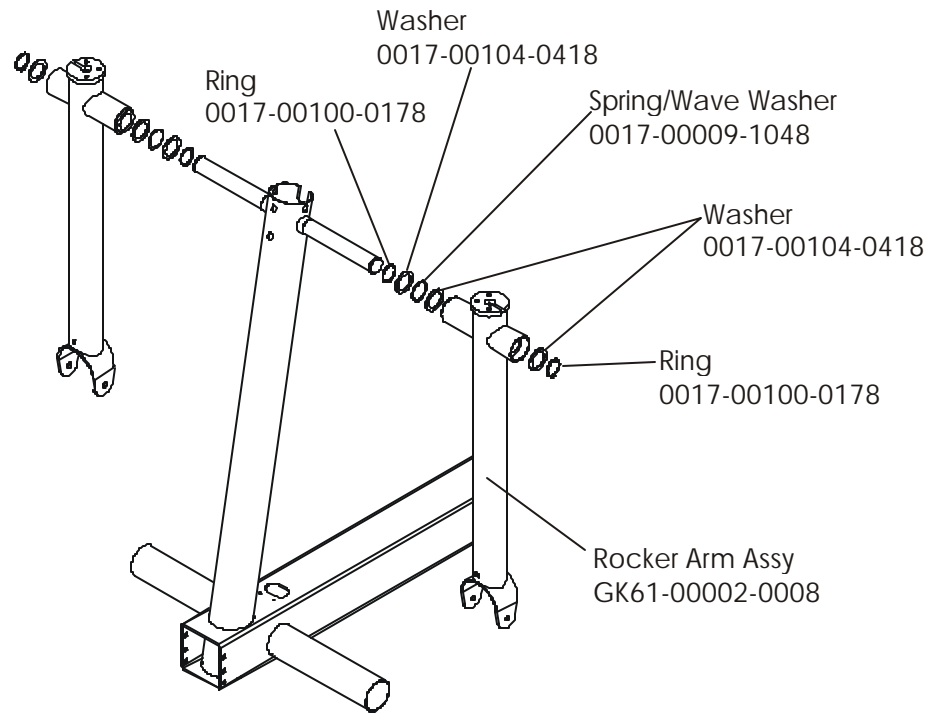
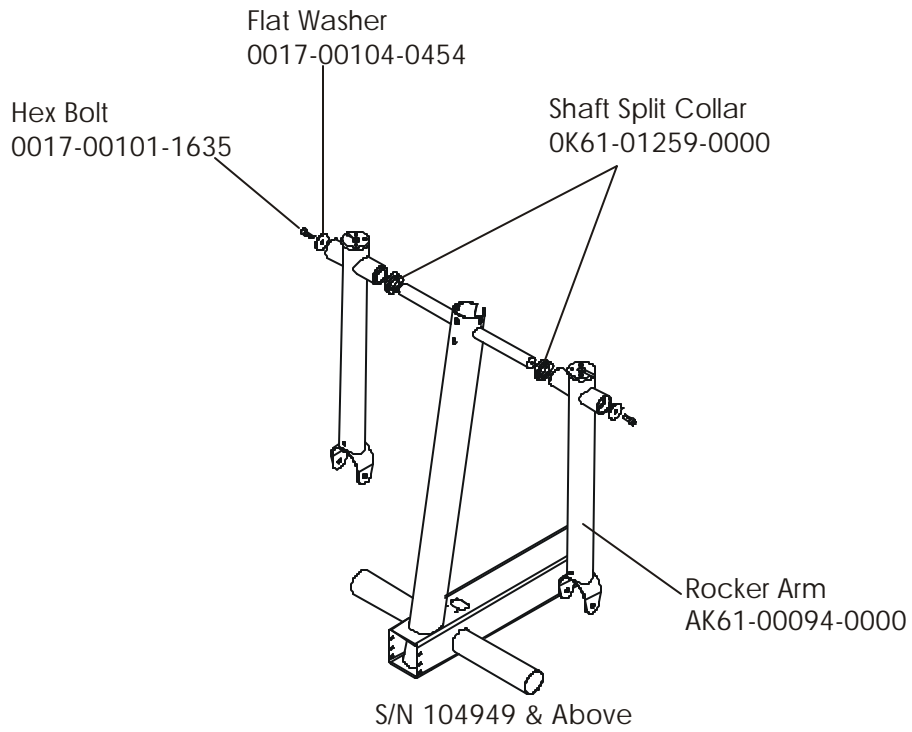
NOTE: If the unit has the configuration shown, and needs replacement of either the pedal arm or the clevis shaft, it will be necessary to replace the complete pedal lever assembly with:
 GK61-00002-0005 left pedal
 GK61-00002-0006 right pedal.

CT5500 Cross-Trainer

Rocker Arm Covers



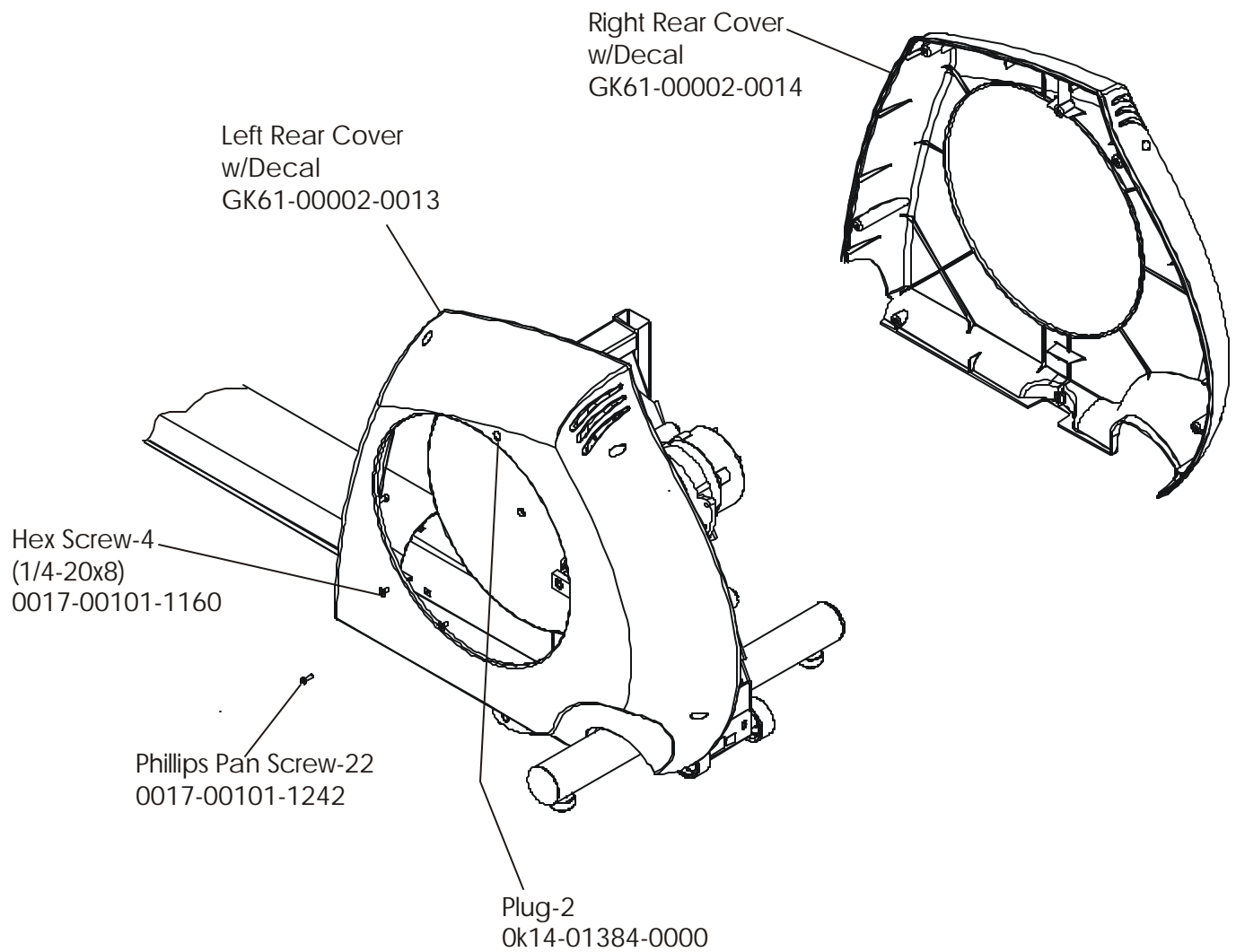
CT5500 Cross-Trainer Rocker Arm Assembly



S/N 104948 & Below

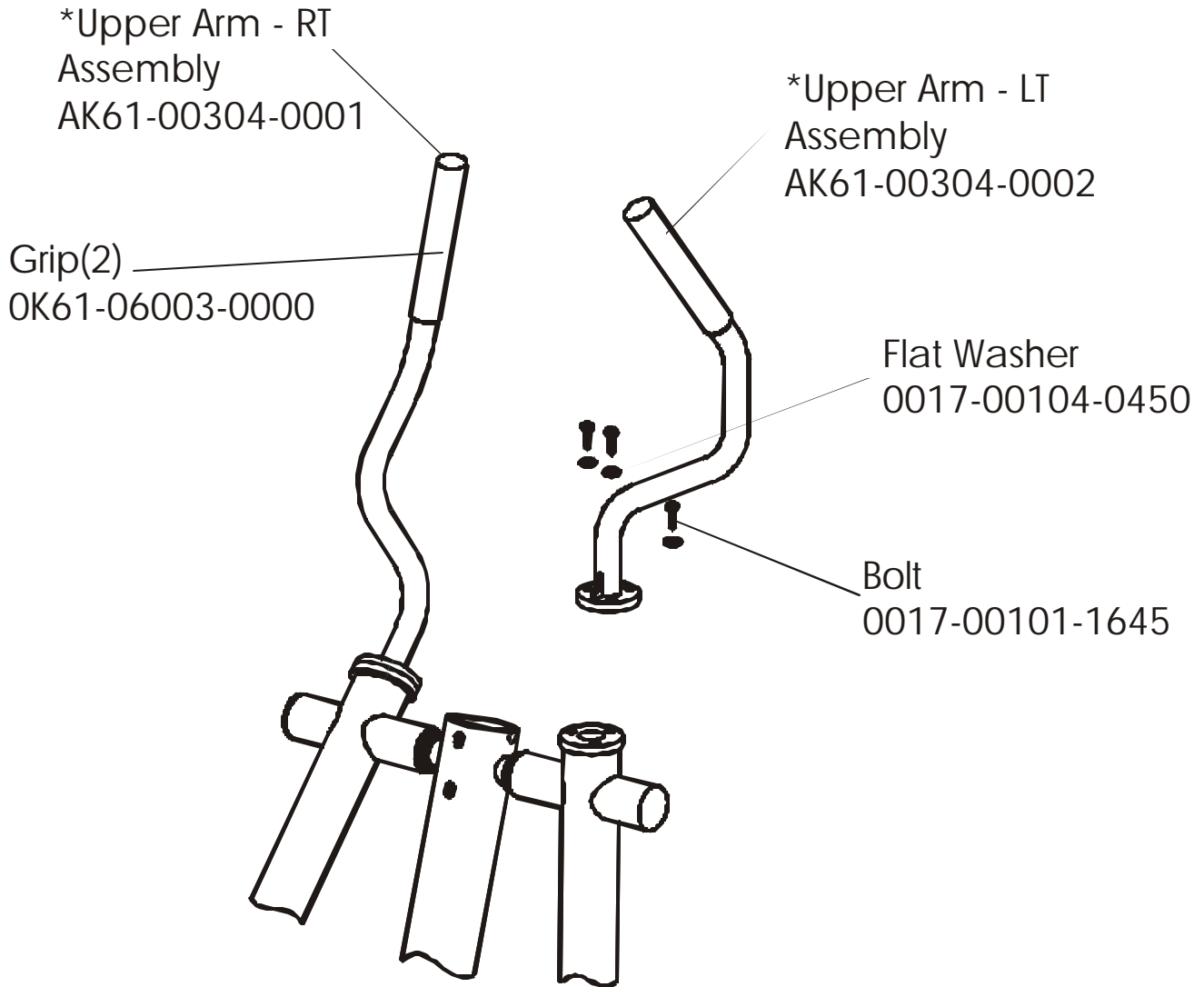
CT5500 Cross-Trainer

Rear Drive Shrouds w/Decals



CT5500 Cross-Trainer

Upper Arm / Heart Rate Assembly



* IF THE SERIAL NUMBER IS BELOW 103238 AND REQUIRES A NEW UPPER ARM ASSEMBLY, THEN IT WILL BE NECESSARY TO REPLACE BOTH UPPER ARM ASSEMBLIES.